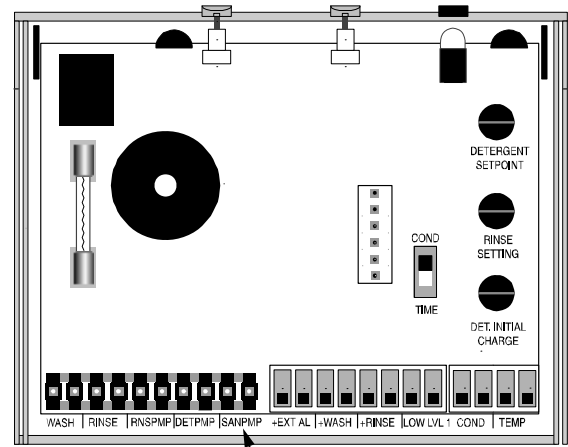


Installation Instruction

D3000 Sanitizer

Mount the D3000 sanitizer on the right side of the main D3000 enclosure (detergent and rinse). Follow these steps to install the sanitizer:

1. Remove the “knockout” plugs from the right side of the main enclosure (detergent and rinse) and the left side of the sanitizer box.
2. Join the two boxes using the conduit connector which is packaged with the sanitizer enclosure (see illustration).
3. Pull the motor wires from the sanitizer enclosure through the connector and plug them into the SANPMP jack on the bottom of the D3000 PCB.
4. Operate the sanitizer pump by pressing both prime buttons on the D3000 enclosure while the D3000 is powered from the dish machine.



“SANPMP” JACK
Figure 1. D3000 PCB

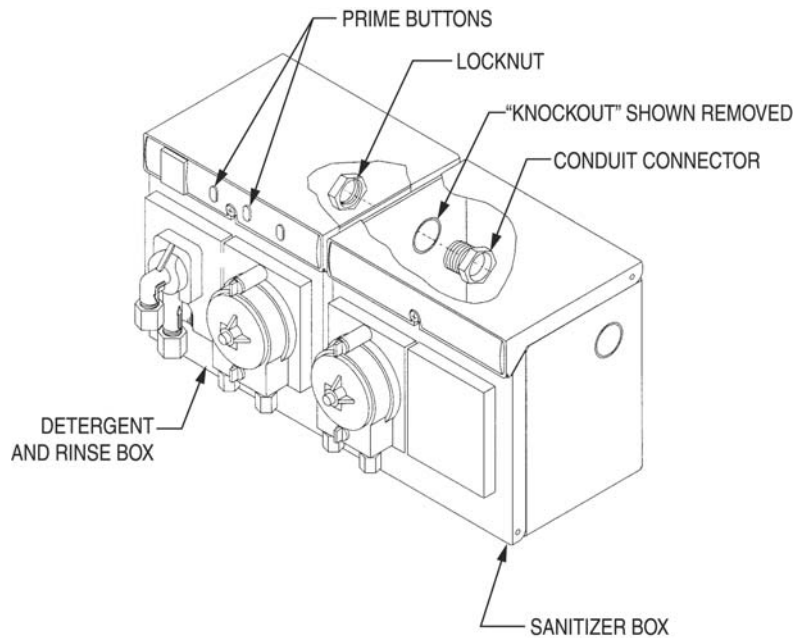


Figure 2. D3000 Dispenser with Sanitizer Box