

Equipment Technical Bulletin

Premature Viton Squeeze Tube Failure in Big Wheel (2000 Series) Pumps



EQUIPMENT AFFECTED

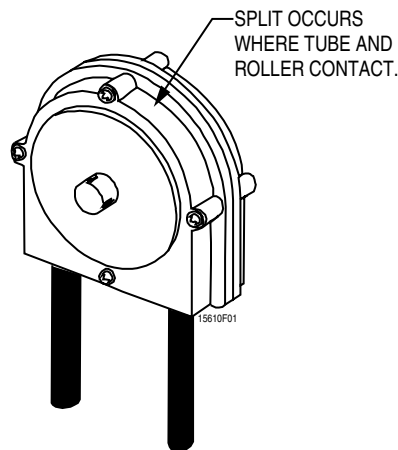
ILS
ILS Max
PR-1100
P-6100T
P-6100C
Summit XL

PROBLEM

Some Viton tubing for the 2000 Series Big Wheel pump is defective and may fail prematurely by splitting open. This failure is the result of defective tubing being delivered by our supplier. The problem is lot-specific and pertains to Viton tubing, both in spares and built into pump assemblies, shipped from July 1, 2004 to October 15, 2004.

SYMPTOMS

Premature failure of this tube results from the tube splitting open. Split squeeze tube will not prime and may cause chemicals to leak inside the plastic front and back plates of the pump.



2000 Series pump with Viton Tube

SOLUTION

Failed tube should be replaced. Any spare Viton squeeze tubes purchased between July 1, 2004 and October 15, 2004 should be thrown away. Replacement tubes (Code #018661) will be automatically shipped to you at no charge.



Beta Technology
2841 Mission Street
Santa Cruz • CA
U.S.A. • 95060

TEL • 831 • 426 • 0882
TEL • 800 • 858 • 2382
FAX • 831 • 423 • 4573
FAX • 800 • 221 • 8416
Customer Service

TEL (U.S. and Canada) • 800 • 468 • 4893
TEL (outside U.S. and Canada) • 01 • 410 • 228 • 1292
Tech Support
sales@beta-technology.com

Beta Technology

4 Firway, Dallow Road
Luton LU1 1TR
United Kingdom

Freephone • 0800 • 052 • 4726
Tel • +44(0) • 1582 • 528600
Fax • +44(0) • 1582 • 528111
Customer Service
Freephone • 0800 • 052 • 4726
VAT REG.NO.BG.354 - 09975 - 44
Tech Service
europe.sales@beta-technology.com

<http://www.beta-technology.com>

Beta Technology is ISO 9001 Certified