

TR-7000 E

Installation Sheet

Safety

These symbols on or inside the unit mean:



Caution, refer to accompanying documents



Caution! Risk of electrical shock.

Installation and Servicing Requirements



- Disconnect all power to this unit before servicing. Servicing should only be performed by qualified service personnel.
- Electrical installation of this equipment should only be performed by trained personnel in accordance with local electrical wiring regulations (in North America, refer to NEC and CSA C22.2 CEC Part 1). Before working with this equipment, isolate it from any electrical source and lock out/tag out.
- The TR-7000 E must be mounted in an external safety enclosure and be powered by an external safety approved class II transformer or class II approved power supply.
- If the equipment is used in a manner not specified by the manufacturer, the protection provided by the equipment may be impaired

Operating Conditions



- For indoor use only.
- Altitude up to 2000 meters (6561 feet)
- Temperature 5 to 40 degrees C (41 to 104 degrees F).
- Maximum relative humidity 80% for temperatures up to 30 degrees C, decreasing linearly to 50% relative humidity at 40 degrees C.
- Pollution Degree 2, Installation Category II.

Specifications

Electrical Power

24 V \sim $\pm 10\%$, 50/60 Hz, 0.015 Amp maximum

Trigger Input Voltage

24 – 240 V \sim , 50/60 Hz
24 – 120 V \equiv

Trigger Input Current

5 mA max.

Dimensions

Height	Width	Depth	Weight
3.8 cm	17.2 cm	12.1 cm	0.45 kg
1.5 in	6.8 in	4.8 in	1.0 lbs

TR-7000 E

Equipment Application

The TR-7000 E trigger module can be used in place of a TR-7000 or TR-7000-AC trigger module. It provides the same functionality as both of these modules.

Mounting

The module must be mounted in an external safety enclosure (such as within the washer).

Dispenser Connection

Depending on application requirements, the trigger module can be connected to the dispenser using either AlphaBus or Betalink. Refer to the dispenser's installation and operating manual for details.

Address Selection

Like the current TR-7000-AC, the TR-7000 E uses a 16-position rotary switch to select the module address.

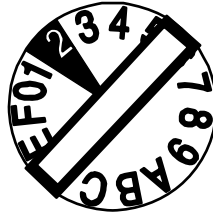


Figure 1.

Refer to the dispenser's installation and operating manual for details.

Washer Connection (Trigger Input Channels)

Seven trigger input channels are provided. Triggers are attached as shown in Table 1 and Figure 2.

Trigger channel	+ (Line) wire color	- (Neutral) wire color	Trigger connector	Trigger connector pin assignments
1	Brown	Brown/Black	Top	pins 5 (+) and 4 (-)
2	Red	Red/Black	Top	pins 9 (+) and 10 (-)
3	Orange	Orange/Black	Top	pins 6 (+) and 7 (-)
4	Yellow	Yellow/Black	Top	pins 2 (+) and 1 (-)
5	Green	Green/Black	Bottom	pins 9 (+) and 10 (-)
6	Blue	Blue/Black	Bottom	pins 6 (+) and 7 (-)
7	Violet	Violet/Black	Bottom	pins 2 (+) and 1 (-)

Table 1.

TR-7000 E

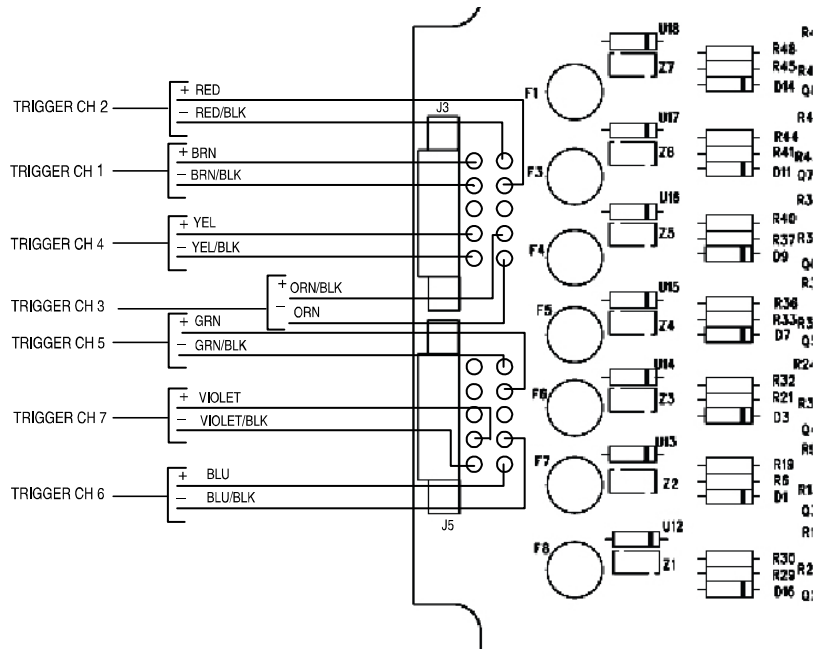


Figure 2.

When connecting the triggers, use the “Y” adapter cable (code number 1209834) that is included in the TR-7000 E kit, as shown in Figure 3.



Figure 3.

The opposite end of the Y-adapter cable connects to your existing trigger harness as shown in Figures 4a and 4b.

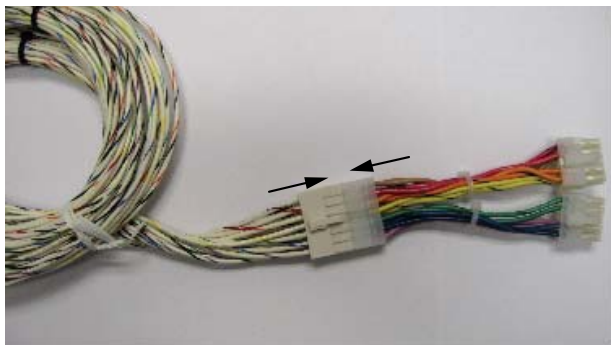


Figure 4a. Y-adapter cable with Washer Trigger Harness

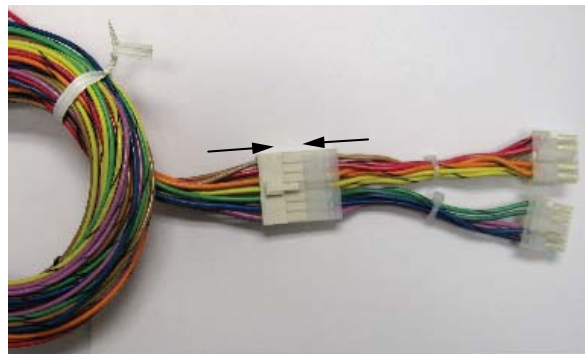


Figure 4b. Y-adapter cable with Chemical Trigger Harness