

APPLICATION

- ◆ Applies to all ILS dispensers.

July 13, 1998



Installation must be done by qualified personnel only.

EXTERNAL ALARM

The top two terminals on the relay ILS alpha bus/alarm terminal strip are dry contact relay outputs to be used to tie in an external alarm. This relay is normally closed (the circuit will open if there is power to the ILS and an alarm condition is not present).

If the Beta Technology 24 VAC strobe light alarm (# 059430) is to be used you may use the 24 VAC power from the secondary side of the transformer powering the ILS unit, shown in Figure 1.

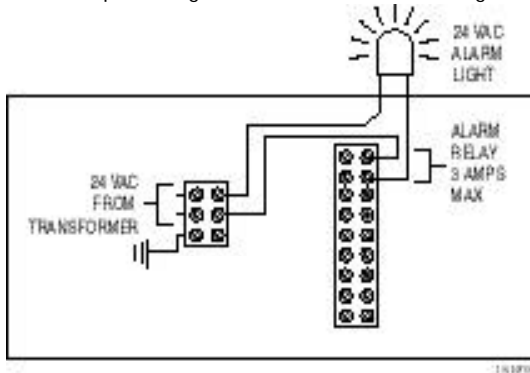


Figure 1. ILS Controller

ORDERING INFORMATION

Parts can be ordered through Beta Technology, Inc. at 1 800 858 2382 or 1 831 457 5709.

Description	Item N°
Strobe Light, 24 VAC	059430
Transformer, 120/240 Volt, 24 VAC, .500 KVA	051281

TRANSFORMER WIRING

Use only one transformer per ILS unit.

The transformer must be rated at 0.5 KVA.

The ILS is a 24 VAC system. The secondary voltage to the unit must be 24 VAC +/- 10 %.

Do not bond or ground either leg of the 24 VAC secondary.

If you are providing your own transformer, it must be connected as an isolation/step-down transformer. DO NOT CONNECT AS A BUCK/BOOST configuration with a common neutral.

Connections should be made as follows to conform to the local and national electrical codes.

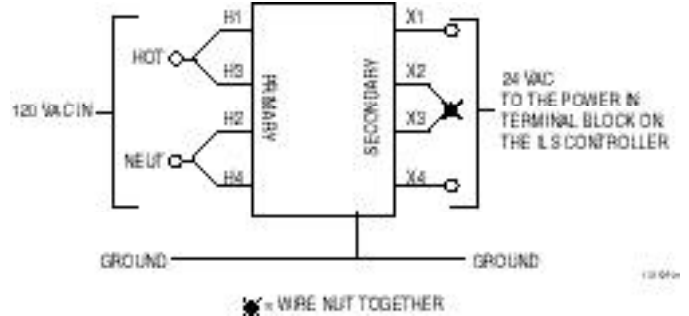


Figure 2. From a 120 VAC Supply

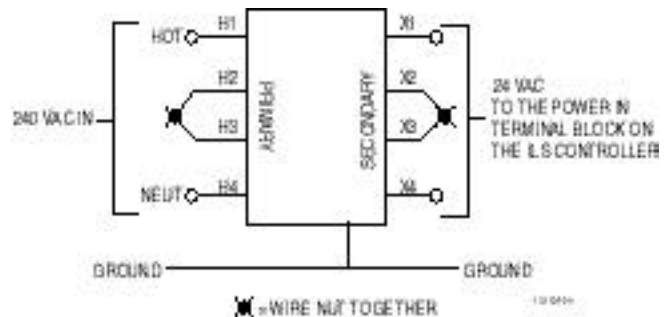


Figure 3. From a 240 VAC Supply