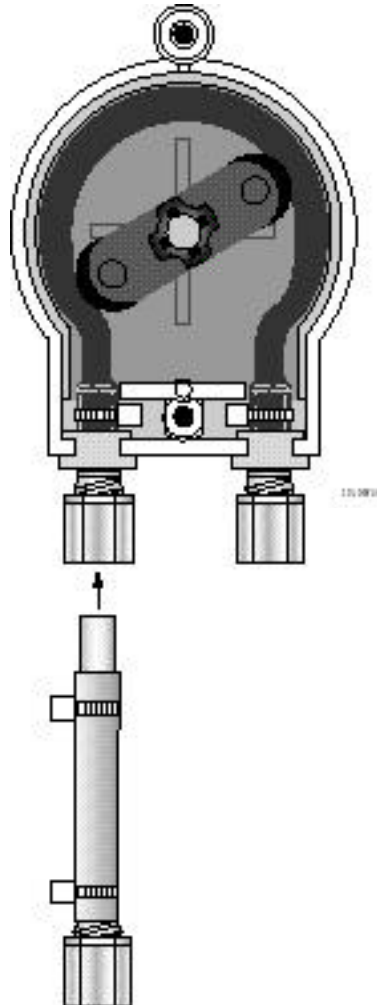


# Installation Instructions

Sanitizer Pump Cartridge with "Sight Glass" Indicator

October 12, 1998



## INSTALLATION INSTRUCTION

1. Install "sight glass" tube on inlet side of pump cartridge.
2. Install cartridge on unit and plumb per standard procedure.
3. Remove adhesive backing from sanitizer information label and place label in visible location on or near unit