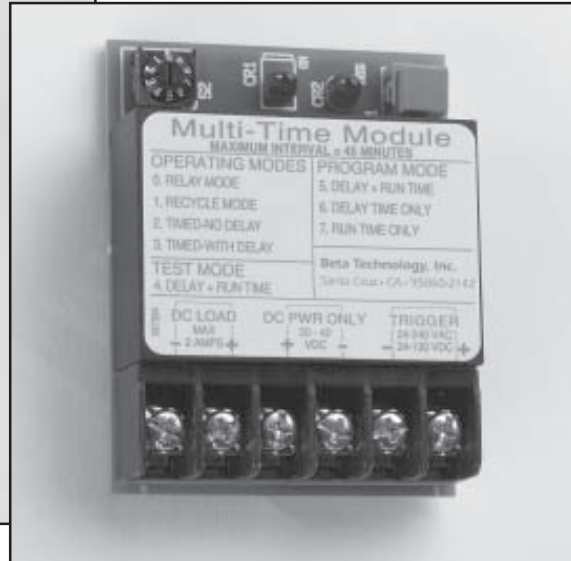
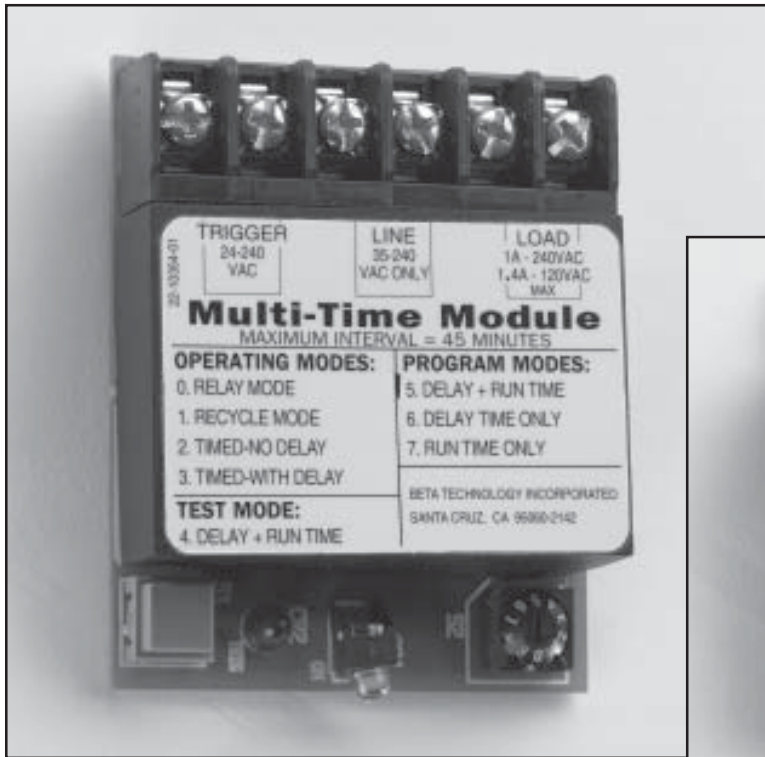
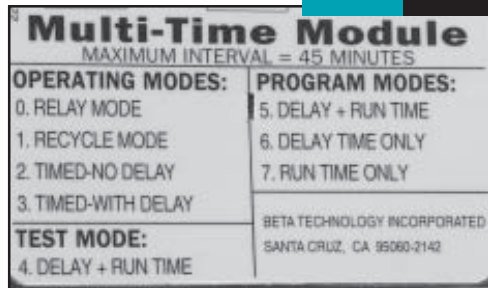


Multi-Time Module Programmable Timing Module



Beta Technology's Multi-Time Module takes chemical dispensing to a supreme level of accuracy, reliability, and automation. The Multi-Time Module has four modes of operation. It can be used as a simple relay for a power signal, or as a recycle timer as long as a trigger signal is present. It can be programmed to run from 1/4 second to 45 minutes every time it receives a trigger signal, or to delay from 1/4 second to 45 minutes prior to executing a programmed run time. It also has a separate LED for verifying trigger signal.

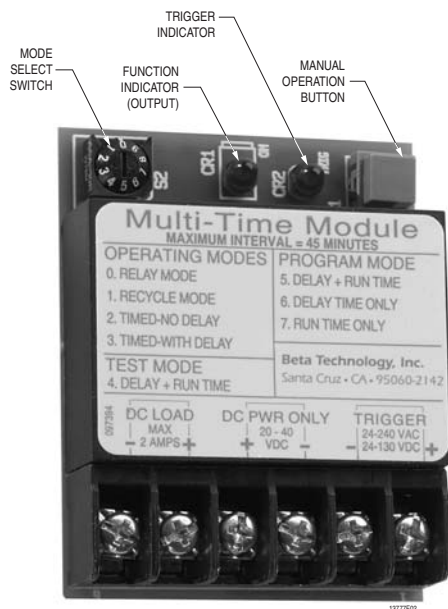
KEY BENEFITS



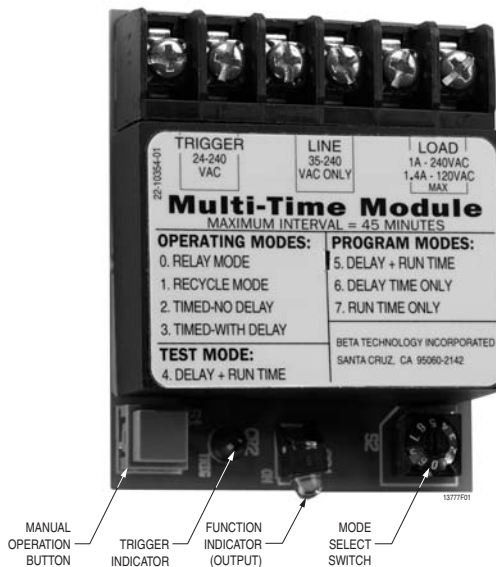
- Flexible programming modes
- Impervious to electrical noise
- Accurate and reliable
- Programmable run and delay-run times
- Eliminates the need for separate relay module or external recycle timer

MULTI-TIME MODULE

DC VERSION



AC VERSION



SPECIFICATIONS

SIZE

3H x 2.31W x 1.125D inches
7.6H x 5.9W x 2.9D centimeters

WEIGHT

2.86 oz
80 grams

ELECTRICAL POWER REQUIREMENTS (LINE INPUT)

AC Version: Rated 35 to 240 Volts AC, 50/60 Hz
DC Version: Rated 20 to 40 Volts DC
Load device voltage rating must match supplied line power

MAXIMUM LOAD CURRENT

1.4 Amp up to 130 Volts AC
1.0 Amp at 130 to 240 Volts AC

ELECTRICAL POWER REQUIREMENTS (TRIGGER INPUT)

Rated 24 to 240 Volts AC
24 to 130 Volts DC (observe polarity to trigger input terminals)
3 milliamps maximum required

AMBIENT OPERATING TEMPERATURE

32° to 122° Fahrenheit (0° to 50° Celsius)

USER PROGRAMMABLE FEATURES

RUN TIME

From 1/4 second to 45 minutes

DELAY TIME

From 1/4 second to 45 minutes

LONG-TERM REPEATABILITY OF PROGRAMMED SETTINGS

1/2% of programmed setting, ± 250 milliseconds

MODES OF OPERATION

PROGRAMMABLE RUN AND DELAY/RUN MODES

The run and delay/run times can be programmed for 1/4 second up to 45 minutes.

RELAY MODE

A switch-selectable relay mode has been added to the Printed Circuit Board, thus eliminating the need for a separate relay module.

RECYCLE MODE

Output "on" and "off" times can be programmed independently from 1/4 second to 45 minutes and then set to repeat these times continuously when a trigger signal is present.

ORDERING INFORMATION

Item#	Description
1202391	Multi-Time Module (AC version)
068644	Multi-Time Module (DC version--used in LS2000 and LS3000, 24 Volts DC power in, 24 Volts DC power out)

Specifications subject to change without notice



Beta Technology, Inc
2841 Mission Street
Santa Cruz • CA
U.S.A. • 95060

TEL • 831 • 426 • 0882
TEL • 800 • 858 • 2382
FAX • 831 • 423 • 4573
FAX • 800 • 221 • 8416
TEL • 800 • 899 • 7302 Tech Support
sales@beta-technology.com

Customer Service

Beta Technology, Inc
4 Finway, Dallow Road
Luton LU1 1TR

Freephone • 0800 • 052 • 4726
Tel • +44(0) • 1582 • 528600
Fax • +44(0) • 1582 • 528111
Freephone • 0800 • 052 • 4726 Tech Service
VAT REG.NO.BG.354 - 09975 - 44
europe.sales@beta-technology.com

Online Ordering: <http://www.beta-technology.com>

Beta Technology is ISO9001 Certified