

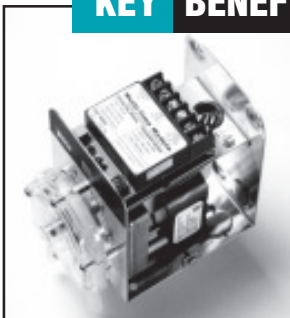
# P-4000 Timer/Relay Controlled 250 ml/min Peristaltic Pump



The P-4000 is an AC motor driven, constant speed peristaltic pump with an integral timing control module. It is triggered by a top-mounted button or an external 24-240 VAC (or 24-130 VDC) trigger signal. The multi-time control module has four operating modes. In addition to acting as a relay, the multi-time module can meter a fixed volume when triggered, with the additional option of setting a delay time between the trigger signal and pump start.

The P-4000 can alternately meter at a fixed rate by pulsing the constant speed pump at a user-selected rate, and can pump into back pressures up to 20 psi and has a variety of squeeze tube materials available to optimize chemical compatibility.

## KEY BENEFITS

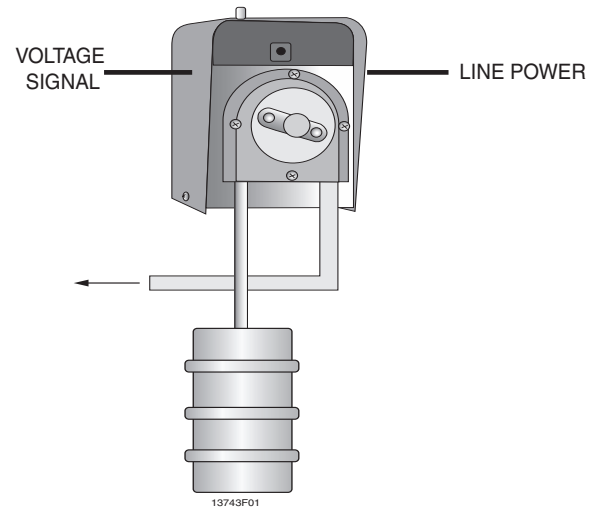


- Ideal for chemical dosing
- Long-life Beta peristaltic pump assembly
- Rugged stainless enclosure
- Multiple control modes enable one pump to fit multiple applications
- Compact wall-mounted design

## P-4000 CONTROL MODES

Control Modes	Description
<b>Mode 0 Relay Mode</b>	Pump operates for the duration of a valid trigger signal
<b>Mode 1 Recycle Timing Mode</b>	The pump will cycle on and off at user programmed intervals when a valid trigger signal is present
<b>Mode 2 Timed Run Mode</b>	Upon receipt of a valid signal, the pump runs for the user-programmed run time
<b>Mode 3 Timed Run Mode with Delay</b>	Upon receipt of a valid signal, the pump runs for the user-programmed run time, but only after the user-programmed delay time has passed.

## TYPICAL INSTALLATION



## SPECIFICATIONS

### SIZE

5H x 3.5W x 4.125D (inches)  
(12.7H x 9W x 10.5D centimeters)

### WEIGHT

5 lb (2.3 kg)

### CABINET

Type 304, brushed stainless steel

### MOUNTING

Wall mounted, 3 mounting holes

### MOTOR

Shaded-pole AC motor

### POWER

115 VAC (± 10%), 60 Hz, 1.1 Amps  
230 VAC (± 10%), 60 Hz, 0.6 Amps

### OPERATING TEMPERATURE

+36° to 120° Fahrenheit  
+2° to 49° Celsius

### PUMPS SPECIFICATIONS

Peristaltic, dual roller, self-priming and self-checking (no flow back)

### DISPLACEMENT

Up to 250 ml/min (based on one centipoise-water)

### VACUUM

8 Hg (inches of mercury), 1.4 bar

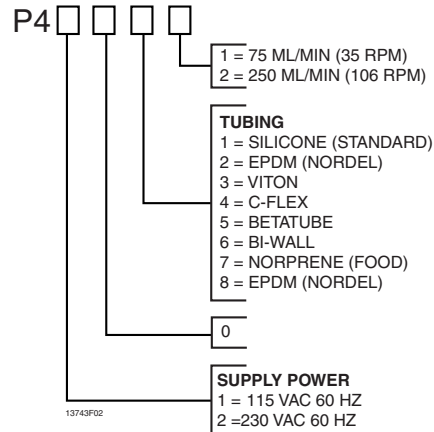
### PRESSURE

Up to 20 psi intermittent duty  
Up to 10 psi continuous duty

### CONTROL SIGNAL

24 to 240 VAC/DC (no transformer required)

## DESCRIPTION CODES



## STANDARD ITEMS

Item #	Description
097386	P41011, 115VAC input, 60 Hz, 35 RPM motor
044044	P42011, 230VAC input, 60 Hz, 35 RPM motor
097387	P41012, 115VAC input, 60 Hz, 106 RPM motor
044046	P42012, 230VAC input, 60 Hz, 106 RPM motor

*Higher pressure and 50 Hz models also available. Contact Beta Technology for more information. Design and specifications are subject to change without prior notice.*



**Beta Technology, Inc**  
2841 Mission Street  
Santa Cruz • CA  
U.S.A. • 95060

TEL • 831 • 426 • 0882  
TEL • 800 • 858 • 2382  
FAX • 831 • 423 • 4573  
FAX • 800 • 221 • 8416  
TEL • 800 • 215 • 6415  
sales@beta-technology.com

Customer Service

Tech Support

**Beta Technology, Inc**  
4 Finway, Dallow Road  
Luton LU1 1TR  
United Kingdom

Freephone • 0800 • 052 • 4726  
Tel • +44(0) • 1582 • 528600  
Fax • +44(0) • 1582 • 528111  
Freephone • 0800 • 052 • 4726  
VAT REG.NO.BG.354 - 09975 - 44  
europe.sales@beta-technology.com

Online Ordering: <http://www.beta-technology.com>