

# Equipment Technical Bulletin

P6100T w/Beta Tubing (1201132)

Wrong lubricant used on pump assembly



## PROBLEM

Incorrect lubricant (silicon) applied by manufacturing on pump assemblies distributed to field between 8/8/02 and 2/6/03. Though silicon lubricant will function correctly in pump it may not be acceptable to customers where the P6100T is used.

## SOLUTION

Disassemble pump assembly and clean pump parts to remove silicon lubricant, replace the squeeze tube and reassemble (See Figure 2). JDE will be sending out to each JD Industrial Sales Representative. affected a new squeeze tube (Beta tube 019369). Discard removed squeeze tube into appropriate trash container.

To clean the inside surfaces of the front and rear pump (plastic) housing and roller assembly, use a 25% solution of any of the following products\*.

- Liquid MC726
- ISW-29
- Hytherm 150



*Be sure to wear appropriate PPE equipment (rubber gloves, goggles, and apron) since these are products containing potassium or sodium hydroxide.*

Using a cloth saturated with the cleaner, wipe the areas inside the pump housing that had contact with the roller tubing. Carefully wipe the roller wheels and metal roller bracket. Follow the cleaning with a dry cloth and wipe all surfaces until dry. Repeat both the cleaning and drying procedures once. Discard cleaning and drying cloths into an appropriate trash container.

Install new Beta tube squeeze tube into cleaned pump. Be sure to lubricate the squeeze tube with Vaseline. Coat the inside of tube along the path the roller will travel. Reassemble the pump housing.

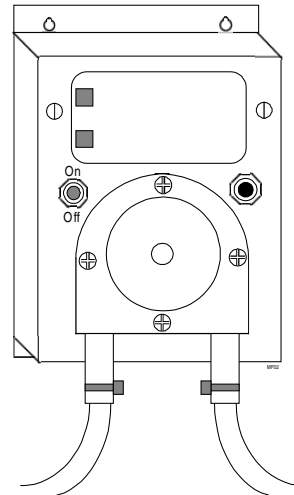


Figure 1. P6100T

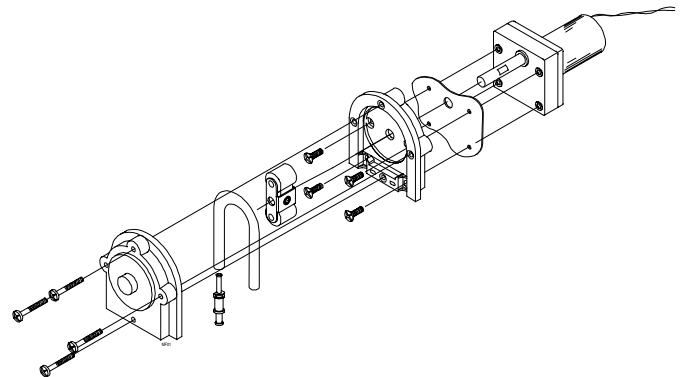


Figure 2. P6100T Pump



**Beta Technology**  
2871 Mission Street  
Santa Cruz • CA  
U.S.A. • 95060

TEL • 831 • 476 • 0882  
TEL • 800 • 858 • 2382  
FAX • 831 • 423 • 4573

Customer Service

FAX • 800 • 221 • 8416

TEL (U.S. and Canada) • 800 • 468 • 4893  
TEL (outside U.S. and Canada) • 410 • 228 • 1292

Tech Support

sales@beta-technology.com

**Beta Technology**

4 Firway, Dellow Road  
Luton LU1 1TR  
United Kingdom

Freephone • 0800 • 052 • 4726

Tel • +44(0) • 1582 • 528600

Fax • +44(0) • 1582 • 528111

Freephone • 0800 • 052 • 4726 Tech Service

VAT REG.NO.BG.354 - 09975 - 44

europa.sales@beta-technology.com

Online Ordering: <http://www.beta-technology.com>

**Beta Technology is ISO9001 Certified**