

OEM Pump Guide

Technical Reference



Beta's highly engineered, low cost peristaltic pumps are ideally suited for many OEM applications.

Pumps can be purchased complete or as individual components. They are available either DC or AC powered and in capacities from 6 ml/minute up to 7000 ml/minute.

A wide variety of pump tubes are available to fit most applications. See Beta's "Pump Tube Chemical Resistance Data" and "Pump Tube Selection" sheets for more information on pump tubes.

Series 100 SnapHead™ Peristaltic Pump

24 VDC Power

Tube materials available: Silicone, Santoprene, EPDM, Fluorocarbon, C-Flex, Bi-Wall & FLEX

| SPECIFICATIONS | TUBE ID (INCH) | VALUE (IMPERIAL) | VALUE (METRIC) |
|--|----------------|------------------|-----------------|
| *Flow at 100 RPM at operating pressure | 0.03 | 0.2 oz/min. | 6 ml/min. |
| | 0.06 | 0.74 oz/min. | 22 ml/min. |
| | 0.13 | 2.74 oz/min. | 81 ml/min. |
| | 0.19 | 5.67 oz/min. | 168 ml/min. |
| | 0.25 | 9.16 oz/min. | 271 ml/min. |
| Outlet Pressure, Maximum (operating to intermittent) | 0.03 | 25 to 40 | 172 to 275 kPa |
| | 0.06 | 25 to 40 psi | 172 to 275 kPa |
| | 0.13 | 25 to 40 psi | 172 to 275 kPa |
| | 0.19 | 20 to 35 psi | 137 to 241 kPa |
| | 0.25 | 15 to 20 psi | 103 to 137 kPa |
| Inlet Pressure, Minimum | | Minus 8 in. Hg | Minus 203 mm Hg |
| Displacement at operating pressure | 0.03 | 0.002 oz/rev. | 0.06 ml/rev. |
| | 0.06 | 0.007 oz/rev. | 0.22 ml/rev. |
| | 0.13 | 0.027 oz/rev. | 0.81 ml/rev. |
| | 0.19 | 0.057 oz/rev. | 1.68 ml/rev. |
| | 0.25 | 0.092 oz/rev. | 2.71 ml/rev. |
| Duty Cycle | | Continuous | |
| Motor Voltage | | 24 VDC | |
| Motor Current (average) (smallest to largest tube) | | 145 to 228 mA | |
| Motor Current (peak) (smallest to largest tube) | | 160 to 292 mA | |
| Speed Range | | 5 to 100 RPM | |

*Note: Flow varies slightly with tube.

Series 100 SnapHead™ Peristaltic Pump (Continued)

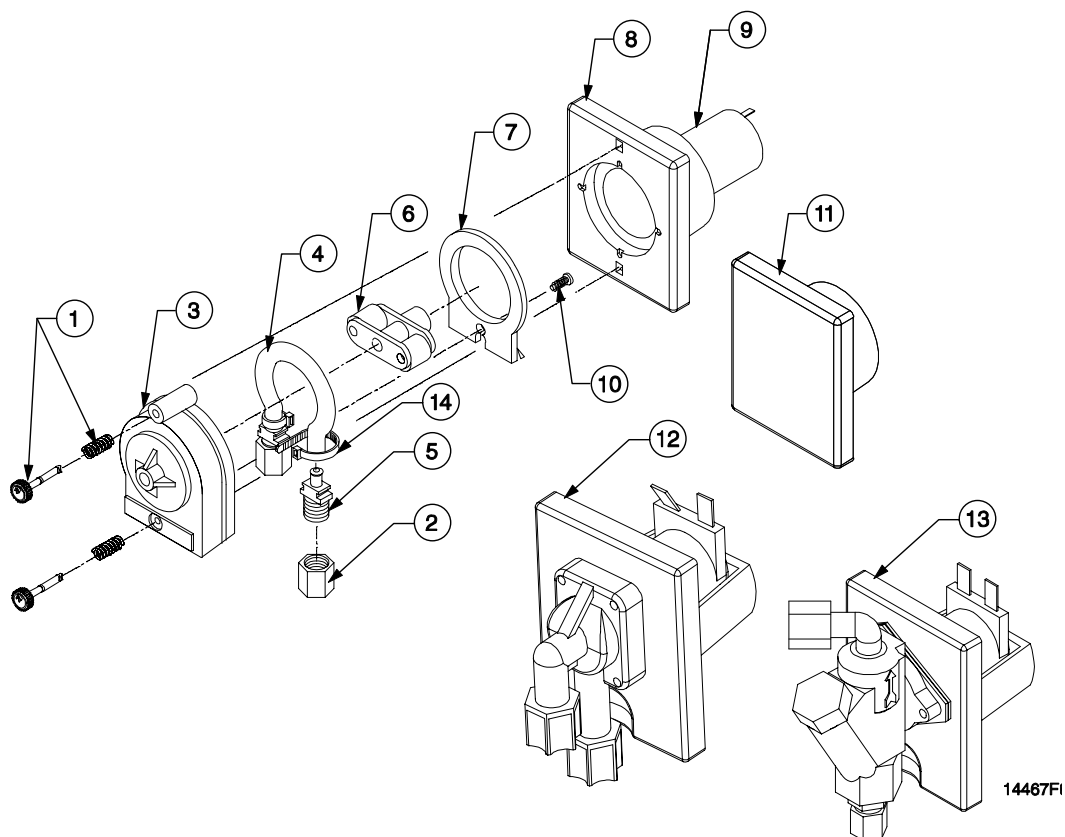
6 VDC Power

Tube materials available: Silicone, Santoprene, EPDM, Fluorocarbon, C-Flex, Bi-Wall & FLEX

| SPECIFICATIONS | TUBE ID (INCH) | VALUE (IMPERIAL) | VALUE (METRIC) |
|--|----------------|------------------|-----------------|
| *Flow at 100 RPM at operating pressure | 0.03 | 0.2 oz/min. | 6 ml/min. |
| | 0.06 | 0.74 oz/min. | 22 ml/min. |
| | 0.13 | 2.74 oz/min. | 81 ml/min. |
| | 0.19 | 5.67 oz/min. | 168 ml/min. |
| Outlet Pressure, Maximum (operating to intermittent) | 0.03 | 25 to 40 psi | 172 to 275 kPa |
| | 0.06 | 25 to 40 psi | 172 to 275 kPa |
| | 0.13 | 25 to 40 psi | 172 to 275 kPa |
| | 0.19 | 20 to 35 psi | 137 to 241 kPa |
| Inlet Pressure, Minimum | | Minus 8 in. Hg | Minus 203 mm Hg |
| Displacement at operating pressure | 0.03 | 0.002 oz/rev | 0.06 ml/rev |
| | 0.06 | 0.007 oz/rev | 0.22 ml/rev |
| | 0.13 | 0.027 oz/rev | 0.81 ml/rev |
| | 0.19 | 0.057 oz/rev | 1.68 ml/rev |
| Duty Cycle | | Continuous | |
| Motor Voltage | | 6 VDC | |
| Motor Current (average) (smallest to largest tube) | | 145 to 228 mA | |
| Motor Current (peak) (smallest to largest tube) | | 160 to 292 mA | |
| Speed range | | 5 to 80 RPM | |

*Note: Flow varies slightly with tube type.

Series 100 SnapHead™ Peristaltic Pump (Continued)



Individual Parts

| No. | Description | Code # |
|-----|--|--------|
| 1 | Pump head snaps & springs (10pk) | 050670 |
| 2 | Tube fitting, nut, 1/8T, rinse | 017458 |
| 2 | Tube fitting, nut, 1/4T, detergent/sanitizer | 043823 |
| 3 | Pump head front | 051614 |
| 5 | Tube insert, 1/8T, rinse | 036982 |
| 5 | Tube insert, 1/4T, detergent | 036969 |
| 5 | Tube insert, 1/4T, sanitizer | 090331 |
| 6 | Roller assembly | 039550 |
| 7 | Pump head rear | 099227 |
| 8,9 | Motor/gearbox | 051351 |
| 8,9 | Motor/gearbox, 6 VDC | 057755 |
| 10 | Pump head screw | 043839 |
| 14 | Small tie wraps | 041318 |

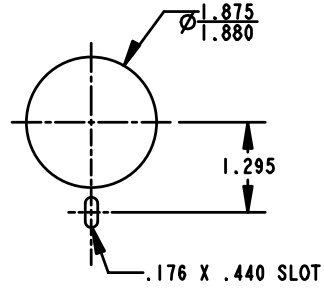
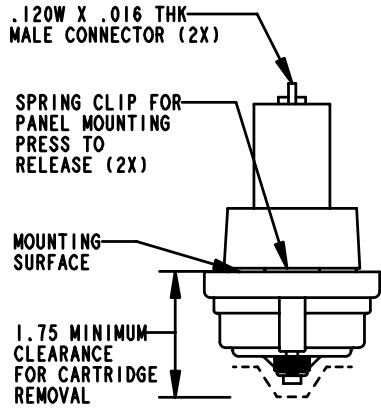
SnapHead Complete Solenoid Valves

| No. | Description | Code # |
|-----|----------------------------------|--------|
| 13 | Solenoid valve assembly, metal | 099312 |
| 12 | Solenoid valve assembly, plastic | 091934 |

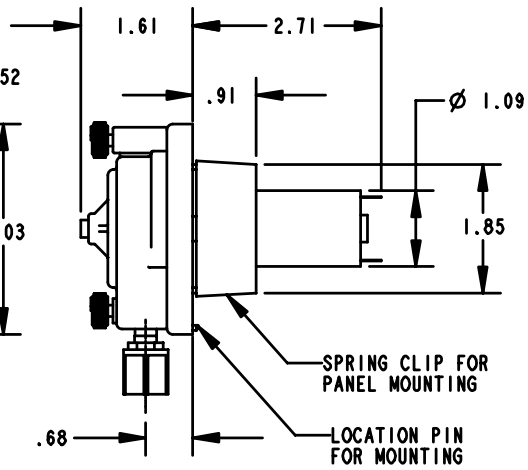
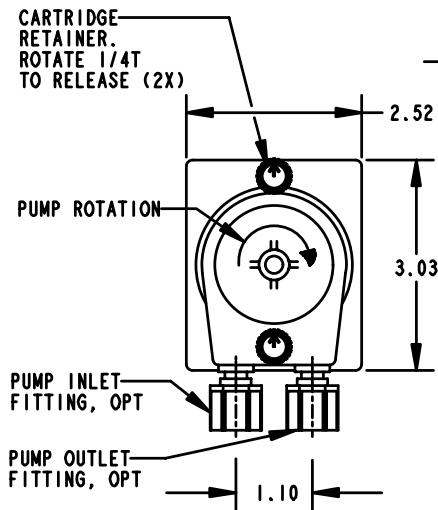
Complete Pump Cartridge Kits

| No. | Description | Code # |
|-----|---|--------|
| 1-7 | Pump cartridge, detergent, with Norprene tube, 1/4T | 039556 |
| 1-7 | Pump cartridge, rinse, with Biwall tube, 1/8 T | 068900 |
| 1-7 | Pump cartridge, sanitizer, with Norprene tube, 1/4T | 057377 |
| 1-7 | With Silicone Detergent Tube, 1/4T | 058210 |
| 1-7 | With EPDM Detergent Tube, 1/4T | 058769 |
| 1-7 | With Viton Detergent Tube, 1/4T | 069927 |
| 1-7 | With Norprene Rinse Tube, 1/8T | 039549 |
| 1-7 | With Silicone Rinse Tube, 1/8T | 058208 |
| 1-7 | With Viton Rinse Tube, 1/8T | 058774 |
| 1-7 | With Food Grade Sanitizer Tube, 1/4T | 058777 |
| 1-7 | With B Flex Detergent, 1/4T, Barb | 093521 |
| 11 | Blank pump plate | 051606 |

Series 100 SnapHead™ Peristaltic Pump (Continued)



PANEL MOUNTING DETAIL
PANEL THICKNESS .036
2.60 MINIMUM CENTER TO CENTER
DISTANCE BETWEEN PUMPS



TOLERANCE
.XX = ± .03
.XXX = ± .010
DIMENSIONS ARE IN INCHES.

14467F02

8 oz. Style Peristaltic Pump

Series 205: 20 RPM, DC Power

Tube materials available: Silicone, Santoprene, EPDM, Fluorocarbon, C-Flex & Bi-Wall

| SPECIFICATIONS | TUBE ID (INCH) | VALUE (IMPERIAL) | VALUE (METRIC) |
|---|----------------|------------------|-----------------|
| Flow at 20 RPM and operating pressure | 0.13 | 0.7 oz/min. | 21 ml/min. |
| | 0.19 | 1.5 oz/min. | 46 ml/min. |
| Outlet Pressure, Maximum (operating to intermittent) | 0.13 | 20 to 35 psi | 137 to 240 kPa |
| | 0.19 | 10 to 20 psi | 68 to 136 kPa |
| Inlet Pressure, Minimum | | Minus 8 in. Hg | Minus 203 mm Hg |
| Displacement at operating pressure | 0.13 | 0.03 oz/rev. | 1 ml/rev. |
| | 0.19 | 0.08 oz/rev. | 2.3 ml/rev. |
| Duty Cycle | | continuous | |
| Motor Voltage | | 24 VDC | |
| Motor Current (average) | | 250 mA | |
| Motor Current (peak) | | 390 mA | |
| Speed range | | 10 to 60 RPM | |

**Note: Flow varies slightly with tube type.*

Series 201: 45 RPM, DC Power

Tube materials available: Silicone, Santoprene, EPDM, Fluorocarbon, C-Flex & Bi-Wall

| SPECIFICATIONS | TUBE ID (INCH) | VALUE (IMPERIAL) | VALUE (METRIC) |
|---|----------------|------------------|-----------------|
| Flow at 45 RPM and operating pressure | 0.13 | 1.5 oz/min. | 44 ml/min. |
| | 0.19 | 3.5 oz/min. | 103 ml/min. |
| Outlet Pressure, Maximum (operating to intermittent) | 0.13 | 20 to 35 psi | 137 to 240 kPa |
| | 0.19 | 10 to 20 psi | 68 to 136 kPa |
| Inlet Pressure, Minimum | | Minus 8 in. Hg | Minus 203 mm Hg |
| Displacement at operating pressure | 0.13 | 0.03 oz/rev. | 1 ml/rev. |
| | 0.19 | 0.08 oz/rev. | 2.3 ml/rev. |
| Duty Cycle | | continuous | |
| Motor Voltage | | 24 VDC | |
| Motor Current (average) | | mA | |
| Motor Current (peak) | | mA | |
| Speed range | | 5 to 45 RPM | |

**Note: Flow varies slightly with tube type.*

Series 204: 100 RPM, DC Power

Tube materials available: Silicone, Santoprene, EPDM, Fluorocarbon, C-Flex & Bi-Wall

| SPECIFICATIONS | TUBE ID (INCH) | VALUE (IMPERIAL) | VALUE (METRIC) |
|---|----------------|------------------|-----------------|
| Flow at 100 RPM and operating pressure | 0.13 | 3.2 oz/min. | 95 ml/min. |
| | 0.19 | 8 oz/min. | 230 ml/min. |
| Outlet Pressure, Maximum (operating to intermittent) | 0.13 | 20 to 35 psi | 137 to 240 kPa |
| | 0.19 | 10 to 20 psi | 68 to 136 kPa |
| Inlet Pressure, Minimum | | Minus 8 in. Hg | Minus 203 mm Hg |
| Displacement at operating pressure | 0.13 | 0.03 oz/rev. | 1 ml/rev. |
| | 0.19 | 0.08 oz/rev. | 2.3 ml/rev. |
| Duty Cycle | | continuous | |
| Motor Voltage | | 24 VDC | |
| Motor Current (average) | | 600 mA | |
| Motor Current (peak) | | 900 mA | |
| Speed range | | 20 to 100 RPM | |

**Note: Flow varies slightly with tube type.*

8 oz. Style Peristaltic Pump (Continued)

Series 202: 106 RPM, 115 VAC Power

Tube materials available: Silicone, Santoprene, EPDM, Flourocarbon, C-Flex & Bi-Wall

| SPECIFICATIONS | TUBE ID (INCH) | VALUE (IMPERIAL) | VALUE (METRIC) |
|---|----------------|------------------|-----------------|
| Flow at 106 RPM and pressure (ml/min.) | 0.13 | 3.4 oz/min. | 100 ml/min. |
| | 0.19 | 7.8 oz/min. | 230 ml/min. |
| Outlet Pressure, Maximum (operating to intermittent) | 0.13 | 20 to 35 psi | 137 to 240 kPa |
| | 0.19 | 10 to 20 psi | 68 to 136 kPa |
| Inlet Pressure, Minimum | | Minus 8 in. Hg | Minus 203 mm Hg |
| Displacement at max pressure | 0.13 | 0.03 oz/rev. | 1 ml/rev. |
| | 0.19 | 0.08 oz/rev. | 2.3 ml/rev. |
| Duty Cycle (5 minutes max ON) | | 20% ON | |
| Motor Voltage | | 115 VAC | |
| Motor Current (average) | | 1350 mA | |
| Motor Current (peak) | | 1400 mA | |
| Speed (fixed) | | 106 RPM | |

*Note: Flow varies slightly with tube type.

Series 206: 200 RPM, 115 VAC Power

Tube materials available: Silicone, Santoprene, EPDM, Flourocarbon, C-Flex & Bi-Wall

| SPECIFICATIONS | TUBE ID (INCH) | VALUE (IMPERIAL) | VALUE (METRIC) |
|---|----------------|------------------|-----------------|
| Flow at 200 RPM and operating pressure | 0.13 | 6.6 oz/min. | 195 ml/min. |
| | 0.19 | 15.3 oz/min. | 455 ml/min. |
| Outlet Pressure, Maximum (operating to intermittent) | 0.13 | 20 to 35 psi | 137 to 240 kPa |
| | 0.19 | 10 to 20 psi | 68 to 136 kPa |
| Inlet Pressure, Minimum | | Minus 8 in. Hg | Minus 203 mm Hg |
| Displacement at operating pressure | 0.13 | 0.03 oz/rev. | 1 ml/rev. |
| | 0.19 | 0.08 oz/rev. | 2.3 ml/rev. |
| Duty Cycle (5 minutes max ON) | | 20% ON | |
| Motor Voltage | | 115 VAC | |
| Motor Current (average) | | 1700 mA | |
| Motor Current (peak) | | 1750 mA | |
| Speed (fixed) | | 200 RPM | |

*Note: Flow varies slightly with tube type.

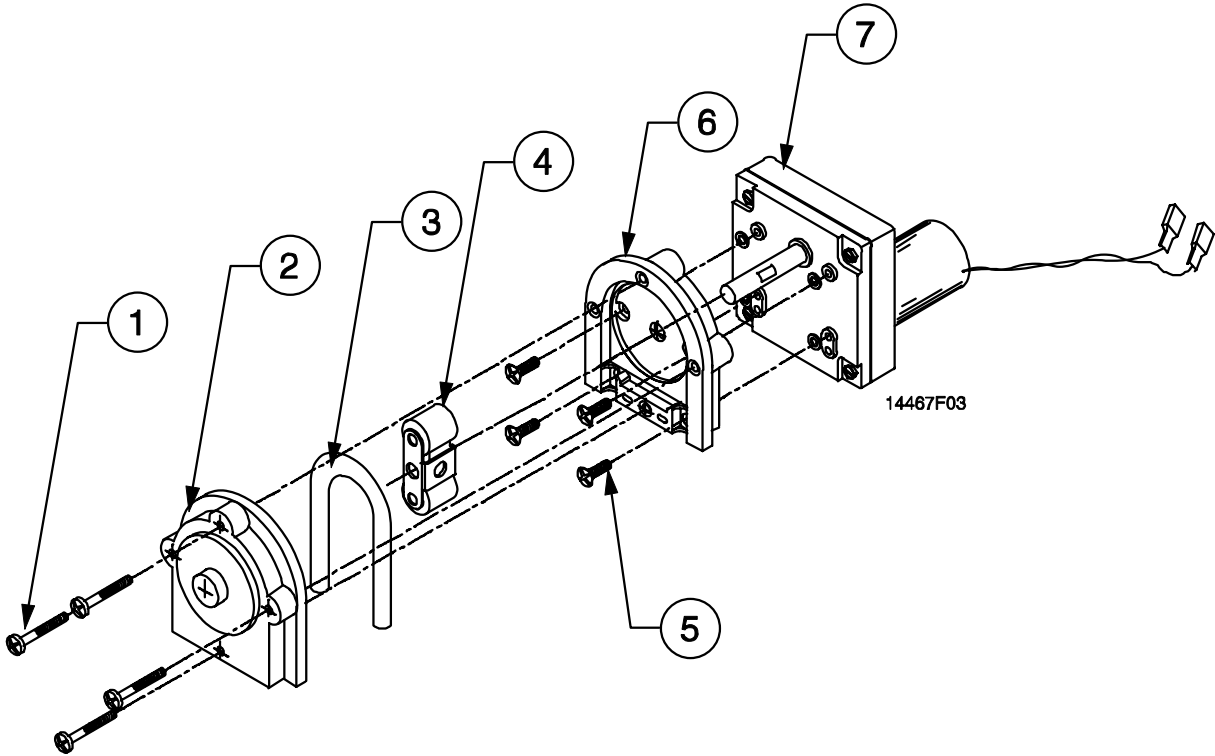
Series 203: 100 RPM, 230 VAC Power

Tube materials available: Silicone, Santoprene, EPDM, Flourocarbon, C-Flex & Bi-Wall

| SPECIFICATIONS | TUBE ID (INCH) | VALUE (IMPERIAL) | VALUE (METRIC) |
|---|----------------|------------------|-----------------|
| Flow at 100 RPM and operating pressure | 0.13 | 3.5 oz/min. | 105 ml/min. |
| | 0.19 | 8 oz/min. | 233 ml/min. |
| Outlet Pressure, Maximum (operating to intermittent) | 0.13 | 20 to 35 psi | 137 to 240 kPa |
| | 0.19 | 10 to 20 psi | 68 to 136 kPa |
| Inlet Pressure, Minimum | | Minus 8 in. Hg | Minus 203 mm Hg |
| Displacement at operating pressure | 0.13 | 0.03 oz/rev. | 1 ml/rev. |
| | 0.19 | 0.08 oz/rev. | 2.3 ml/rev. |
| Duty Cycle (5 minutes max ON) | | 20 % ON | |
| Motor Voltage | | 230 VAC | |
| Motor Current (average) | | 0.75 Amp | |
| Motor Current (peak) | | Amp | |
| Speed (fixed) | | 100 RPM | |

*Note: Flow varies slightly with tube type.

8 oz. Style Peristaltic Pump (Continued)



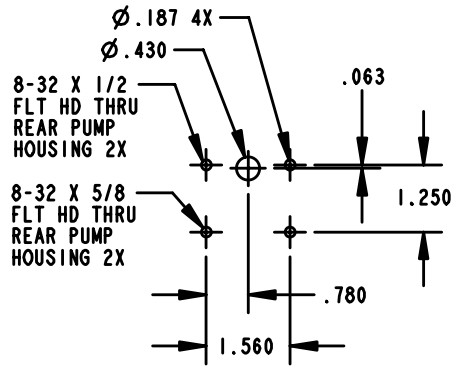
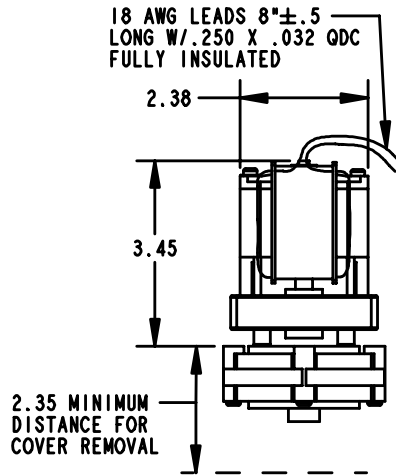
Individual Parts

| No. | Description | Code # |
|-----|--|--------|
| 1 | Screw, Phillips Pan Head, 6-32 x 3/4, Requires 4 Per Pump, Outside Pump Mounting | 040992 |
| 2 | Pump Head, Front, Smoke | 059967 |
| 4 | Roller Assembly, Yellow, 0.710 O.D | 051190 |
| 4 | Roller Assembly, Green, 0.780 O.D | 051189 |
| 4 | Roller Assembly, Clear, 0.770 O.D, for Viton | 035939 |
| 5 | Screw, Flathead, 8-32 x 1/2, Requires 2 Per Pump Inside Pump Mounting | 040985 |
| 5 | Screw, Phillips Flat Head, 8-21 x 3/8, Requires 2 Per Pump, Inside Pump Mounting | 040986 |
| 6 | Pump Head, Rear, Smoke | 038850 |
| | Hex Spacer, 1/8-27, Nickel Plated | 041189 |
| 7 | Motor, 115 VAC, 60 Hz, 106 RPM | 018051 |
| 7 | Motor, 230 VAC, 60 Hz, 106 RPM | 180530 |
| 7 | Motor, 24 VDC, 100 RPM | 018056 |
| 7 | Motor, 24 VDC, 45 RPM | 035529 |
| 7 | Motor, 115 VAC, 200 RPM | 036012 |
| 7 | Motor, 230 VAC, 200 RPM | 036013 |
| 7 | Motor, 24 VDC, 17 RPM | 039370 |
| 7 | Motor, 230 VAC, 60 Hz, 35 RPM | 059080 |
| 7 | Motor, 230 VAC, 60 Hz, 35 RPM | 040911 |
| 8 | Dummy Cover | 036837 |

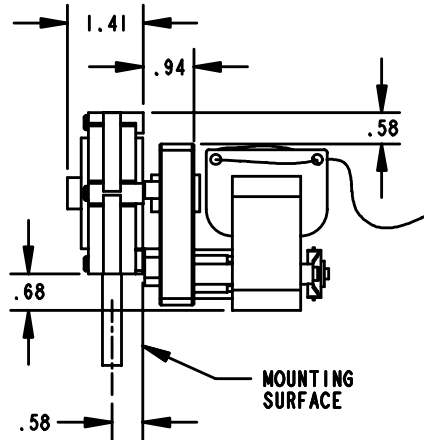
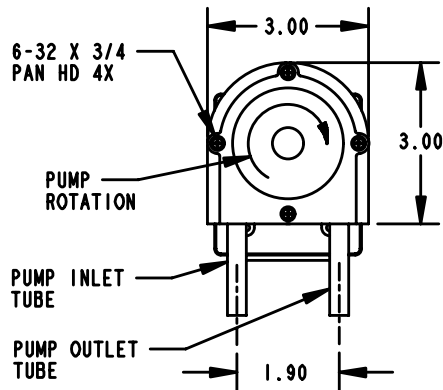
Complete Pump/Motor/Gear box Kits

| No. | Description | Code # |
|-------|---|--------|
| 1 - 8 | 24 VDC, Sanitizer, 17RPM Motor, Low Level Alarm, Silicone Tubing | 017730 |
| 1 - 8 | 24 VDC, 100 RPM Motor, Smoke Pump Heads, Silicone Tubing, Detergent | 035703 |
| 1 - 8 | 24 VDC, 17 RPM Motor, Smoke Pump Heads | 035707 |
| 1 - 8 | 115 VAC, 106 RPM Motor, Smoke Pump Heads, Silicone Tubing | 035718 |
| 1 - 8 | 115 VAC, 106 RPM Motor, Smoke Pump Heads, Beta Tube | 035722 |
| 1 - 8 | 230 VAC, 106 RPM Motor, Smoke Pump Heads, Silicone Tubing | 035723 |
| 1 - 8 | 230 VAC, 106 RPM 50 Hz. Motor, Smoke Pump Heads, Silicone Tubing | 035729 |
| 1 - 8 | 24 VDC, 17 RPM Motor, Smoke Pump Heads, Beta Tubing, Detergent | 035731 |
| 1 - 8 | 24 VDC, 17 RPM Motor, Smoke Pump Heads, Norprene Beta Tube, Rinse | 035732 |
| 1 - 8 | 24 VDC, 45 RPM, Smoke Pump Heads, Beta Tube, Rinse | 097596 |

8 oz. Style Peristaltic Pump (Continued)



PANEL MOUNTING DETAIL
PANEL THICKNESS: .036 - .060
3.12, MINIMUM CENTER TO CENTER
DISTANCE BETWEEN PUMPS



| TORQUE SPECIFICATION TABLE | |
|--|-------------------|
| DESCRIPTION | TORQUE (INCH LBS) |
| SCREW, 8-32 X 5/8, PHILIPS FLAT HEAD, 2X | 8 |
| SCREW, 8-32 X 1/2, PHILIPS FLAT HEAD, 2X | 8 |
| SCREW, 6-32 X 3/4, PHILIPS PAN HEAD, 4X | 6 |
| SET SCREW, SPINNER | 20 |

TOLERANCE
XX = ±.03
XXX = ±.010
DIMENSIONS ARE IN INCHES
14467F04

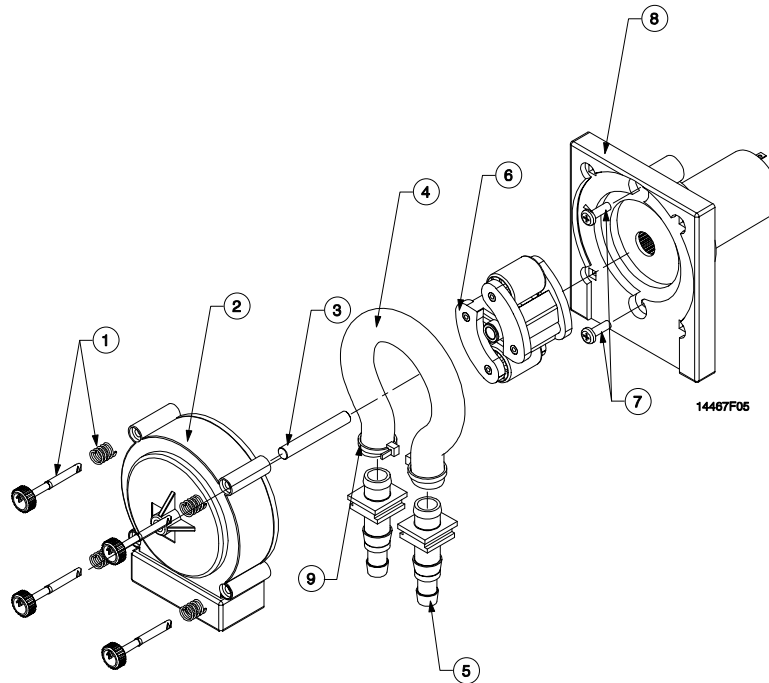
Series 600 SnapHead™ Peristaltic Pump

24 VDC

Tube materials available: Silicone, Santoprene, EPDM, Fluorocarbon, C-Flex & Bi-Wall

| SPECIFICATIONS | TUBE ID (INCH) | VALUE (IMPERIAL) | VALUE (METRIC) |
|--|----------------|------------------|-----------------|
| Flow at 100 RPM at operating pressure | 0.25 | 18 oz/min. | 530 ml/min. |
| | 0.38 | 33 oz/min. | 1000 ml/min. |
| Outlet Pressure, Maximum (operating to intermittent) | 0.25 | 15 to 20 psi | 103 to 137 kPa |
| | 0.38 | 15 to 20 psi | 103 to 137 kPa |
| Inlet Pressure, Minimum | | Minus 8 in. Hg | Minus 203 mm Hg |
| Displacement at operating pressure | 0.25 | 1.8 oz/rev. | 5.3 ml/rev. |
| | 0.38 | 3.3 oz/rev. | 10 ml/rev. |
| Duty Cycle | | continuous | |
| Motor Voltage | | 24 VDC | |
| Motor Current (average) | | 750 mA | |
| Motor Current (peak) | | 1250 mA | |
| Speed range | | 5 to 100 RPM | |

*Note: Flow varies slightly with tube type.



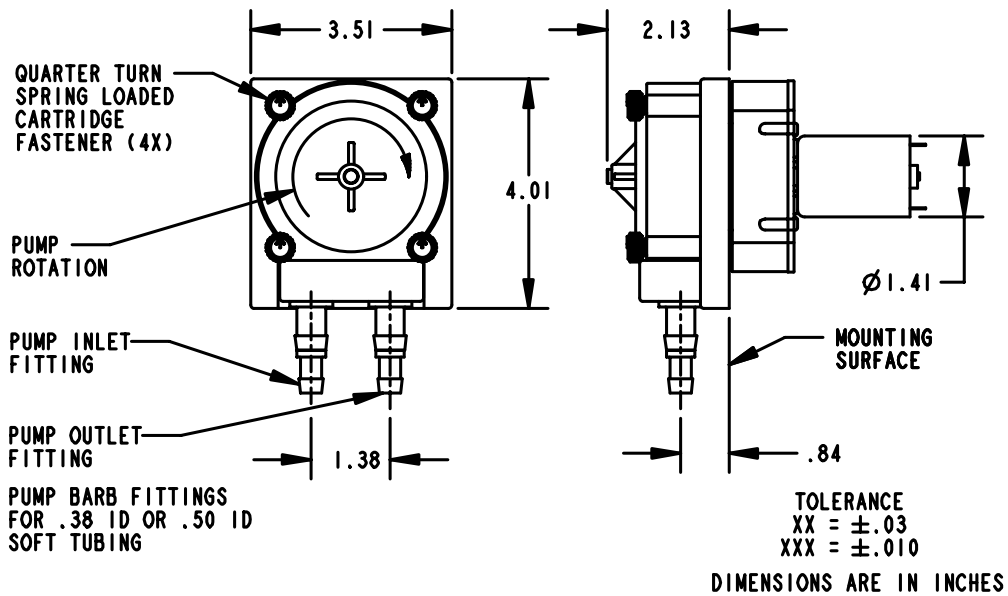
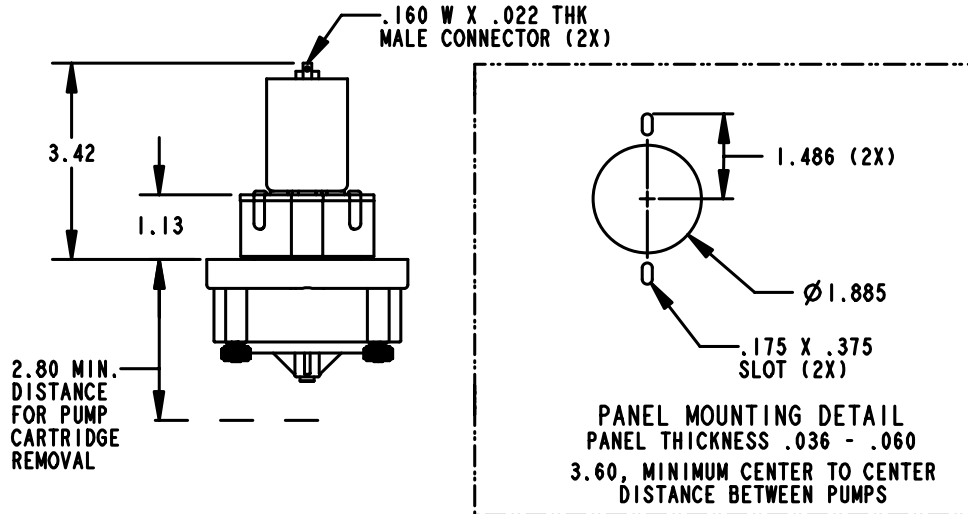
Individual Parts

| No. | Description | Code # |
|-----|----------------------------------|--------|
| 8 | Motor/Gearbox Assembly | 093491 |
| 2 | Pump Head | 093868 |
| 5 | Tube insert for 0.250" bore tube | 087646 |
| 5 | Tube insert for 0.375" bore tube | 093492 |
| 6 | Roller Assembly | 094564 |
| 9 | Large tie wrap | 041319 |

Complete Pump Cartridge and Pump Motor/Gearbox Kits

| No. | Description | Code # |
|-------|--|--------|
| 4, 5 | Pump cartridge with silicone 0.375" I.D. tubing, 3/8" & 1/2" B fittings | 093489 |
| 4, 5 | Pump cartridge with EPDM 0.250" ID Tubing, 3/8" B - 3/8" B | 068884 |
| 1 - 8 | Pump head/motor/gearbox, 7100 RPM, with Silicone Tube 3/8" & 1/2" B fittings | 093485 |
| 1 - 8 | Pump head/motor/gearbox, 7100 RPM, with EPDM tube | 099228 |

Series 600 SnapHead™ Peristaltic Pump (Continued)



14467F06

50 oz. Style Peristaltic Pump

Series 1500: 98 RPM

Tube materials available: Silicone, Santoprene, EPDM, Fluorocarbon, C-Flex & Bi-Wall

| SPECIFICATIONS | TUBE ID (INCH) | VALUE (IMPERIAL) | VALUE (METRIC) |
|--|----------------|------------------|-----------------|
| Flow at 98 RPM and operating pressure | 0.37 | 50 oz/min. | 1600 ml/min. |
| Outlet Pressure, Maximum (operating to intermittent) | 0.37 | 15 to 20 psi | 103 to 137 kPa |
| Inlet Pressure, Minimum | | Minus 8 in. Hg | Minus 203 mm Hg |
| Displacement at operating pressure | 0.37 | 0.5 oz/rev. | 16 ml/rev. |
| Duty Cycle | | continuous | |
| Motor Voltage | | 24 VDC | |
| Motor Current (average) | | 16 Amps | |
| Motor Current (peak) | | 2.3 Amps | |
| Speed range | | 20 to 98 RPM | |

**Note: Flow varies slightly with tube type.*

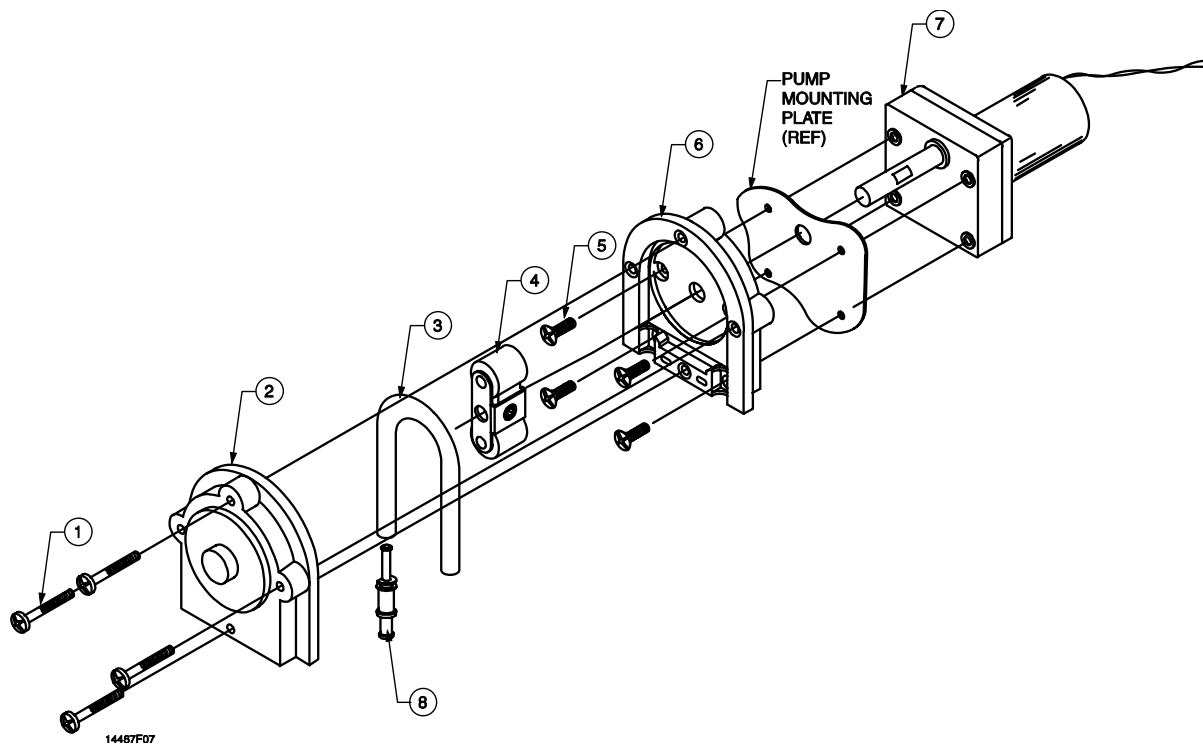
Series 3000: 200 RPM

Tube materials available: Silicone, Santoprene, EPDM, Fluorocarbon, C-Flex, Bi-Wall & FLEX

| SPECIFICATIONS | TUBE ID (INCH) | VALUE (IMPERIAL) | VALUE (METRIC) |
|--|----------------|------------------|-----------------|
| Flow at 200 RPM and operating pressure | 0.37 | 100 oz/min. | 3000 ml/min. |
| Outlet Pressure, Maximum (operating to intermittent) | 0.37 | 15 to 20 psi | 103 to 137 kPa |
| Inlet Pressure, Minimum | | Minus 8 in. Hg | Minus 203 mm Hg |
| Displacement at operating pressure | 0.37 | 0.5 oz/rev. | 16 ml/rev. |
| Duty Cycle (5 minutes max ON) | | 50 percent | |
| Motor Voltage | | 24 VDC | |
| Motor Current (average) | | 2.7 Amps | |
| Motor Current (peak) | | 2.9 Amps | |
| Speed range | | 40 to 200 RPM | |

**Note: Flow varies slightly with tube type.*

50 oz. Style Peristaltic Pump (Continued)



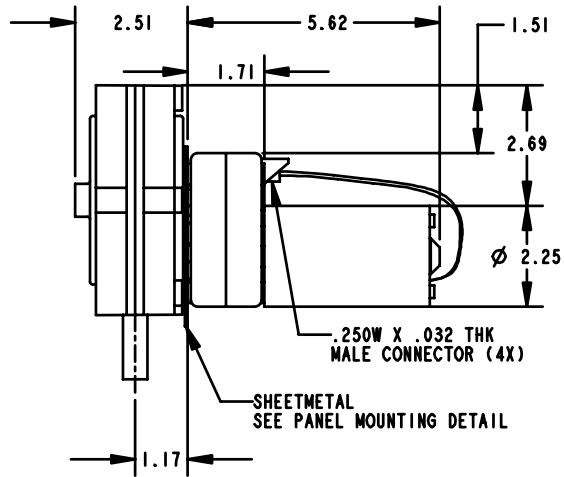
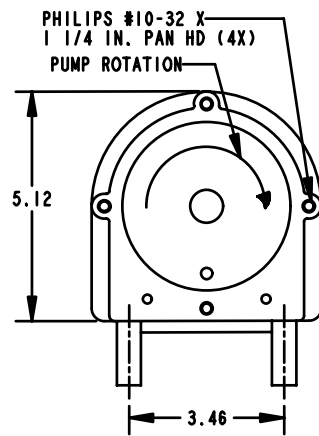
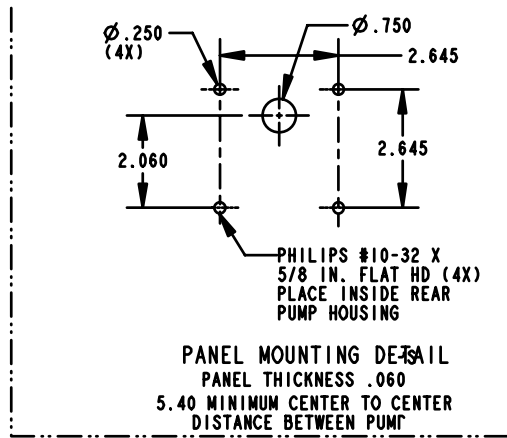
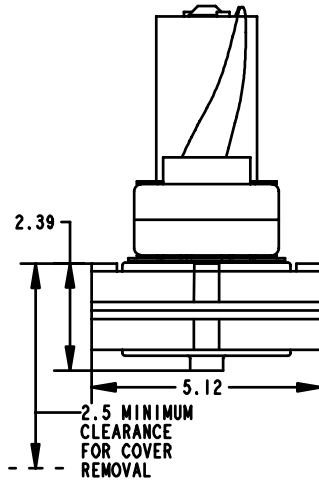
Pump Motor/Gearbox Kits

| No. | Description | Code # |
|-------|--|--------|
| 1 - 7 | Pump Kit, 200 RPM Motor, Silicone Tubing | 020948 |
| 1 - 7 | Pump Kit, 98 RPM Motor, Silicone Tubing | 035656 |

Individual Parts

| No. | Description | Code # |
|-----|---|--------|
| 1 | Screw, Phillips Pan Head, 10-32 x 1 1/4, Requires 4 Per Pump, Outside Pump Mounting | 041004 |
| 2 | Pump Head, Front, Clear | 017708 |
| 4 | Roller Assembly, Clear, 1.20 O.D | 017710 |
| 5 | Screw, Phillips Flat Head, 10-32 x 5/8, Requires 4 Per Pump, Inside Pump Mounting | 041011 |
| 6 | Pump Head, Rear, Clear | 017709 |
| 7 | Motor, Gearbox, 98 RPM | 040628 |
| 7 | Motor, Gearbox, 200 RPM | 093875 |

50 oz. Style Peristaltic Pump (Continued)



| TORQUE SPECIFICATION TABLE | |
|---|-----------------|
| DESCRIPTION | TORQUE (IN-LBS) |
| SCREW 10-32 X 5/8, PHILIPS FLAT HEAD, 4X | 8 |
| SCREW 10-32 X 1 1/4, PHILIPS PAN HEAD, 4X | 8 |
| SET SCREW, SPINNER | 25 - 30 |

TOLERANCE
.XX = $\pm .03$
.XXX = $\pm .010$
DIMENSIONS ARE IN INCHES.

14467F08

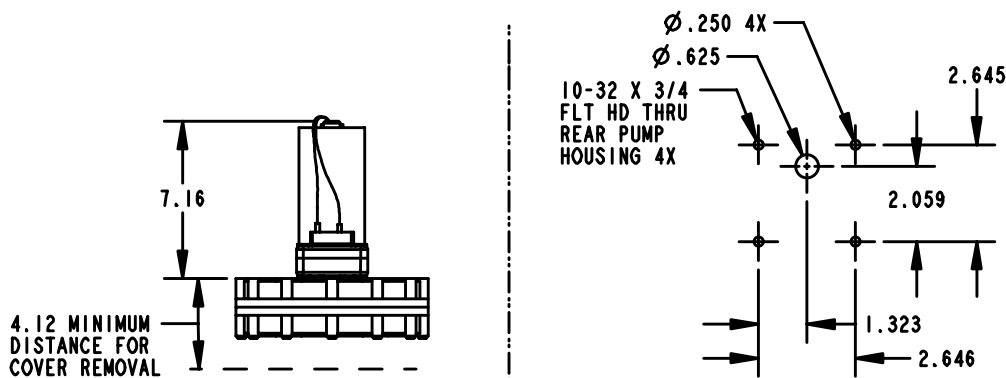
7 Liter Style Peristaltic Pump (Continued)

Series 7000 (7 Liter) Peristaltic Pump

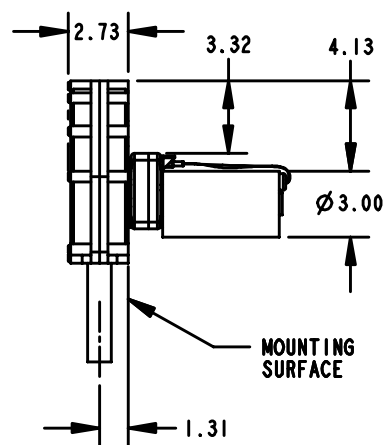
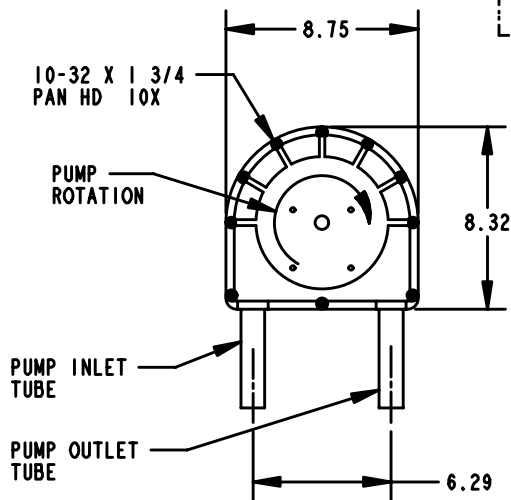
Tube materials available: Silicone

| SPECIFICATIONS | TUBE ID (INCH) | VALUE (IMPERIAL) | VALUE (METRIC) |
|--|----------------|------------------|-----------------|
| Outlet Pressure, Maximum (operating to intermittent) | | 10 to 15 psi | 68 to 103 kPa |
| Inlet Pressure, Minimum | | Minus 8 in. Hg | Minus 203 mm Hg |
| Displacement at operating pressure | | 21.9 oz/rev. | 65 ml/rev. |
| Duty Cycle (5 minutes max ON) | | 70% ON | |
| Motor Voltage | | 24 VDC | |
| Motor Current (average) | | 4 Amp | |
| Motor Current (peak) | | 5 Amp | |
| Speed range | | 20 to 100 RPM | |

*Note: Flow varies slightly with tube type.



PANEL MOUNTING DETAIL
 PANEL THICKNESS: .060
 9.00, MINIMUM CENTER TO CENTER
 DISTANCE BETWEEN PUMPS



| DESCRIPTION | TORQUE (INCH LBS) |
|---|-------------------|
| SCREW, 10-32 X 3/4, PHILIPS FLAT HEAD, 4X | 8 |
| SCREW, 10-32 X 1 3/4, PHILIPS PAN HEAD, 10X | 8 |

TOLERANCE
 XX = ±.03
 XXX = ±.010
 DIMENSIONS ARE IN INCHES

14467F09



Beta Technology, Inc

2841 Mission Street
Santa Cruz • CA
U.S.A. • 95060

TEL • 831 • 426 • 0882
TEL • 800 • 858 • 2382
FAX • 831 • 423 • 4573
FAX • 800 • 221 • 8416

Customer Service

TEL (U.S. and Canada) • 800 • 468 • 4893
TEL (outside U.S. and Canada) • 410 • 228 • 1292

Tech Support

sales@beta-technology.com

Beta Technology, Inc

4 Firway, Dallow Road
Luton LU1 1TR
United Kingdom

Freephone • 0800 • 052 • 4726
Tel • +44(0) • 1582 • 528600

Customer Service

Fax • +44(0) • 1582 • 528111

Freephone • 0800 • 052 • 4726
VAT REG.NO.BG.354 - 09975 - 44

Tech Service

europa.sales@beta-technology.com

Online Ordering: <http://www.beta-technology.com>